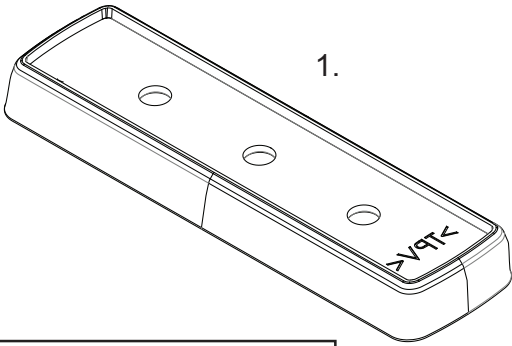




# RHINO-RACK **CONTROLLED** QMFK17



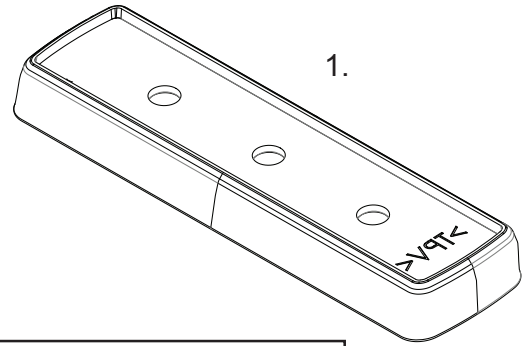
**\*Note:** For use with RLT600 Crossbar Kits. Please refer to 'Fit My Car' on the Rhino-Rack web site for comprehensive instructions on fitting racks to your vehicle.

Item	Component Name	Qty	Part No.
1	RLT600 Skirt High	2	M829
2	Instructions	1	R1164

Issue: 01 Document No: R1164 Prepared by: Kayle Everett



# RHINO-RACK **CONTROLLED** QMFK17



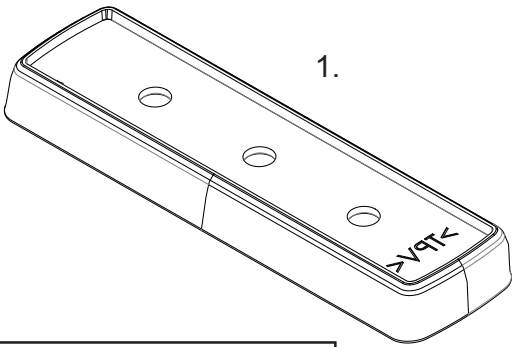
**\*Note:** For use with RLT600 Crossbar Kits. Please refer to 'Fit My Car' on the Rhino-Rack web site for comprehensive instructions on fitting racks to your vehicle.

Item	Component Name	Qty	Part No.
1	RLT600 Skirt High	2	M829
2	Instructions	1	R1164

Issue: 01 Document No: R1164 Prepared by: Kayle Everett



# RHINO-RACK **CONTROLLED** QMFK17



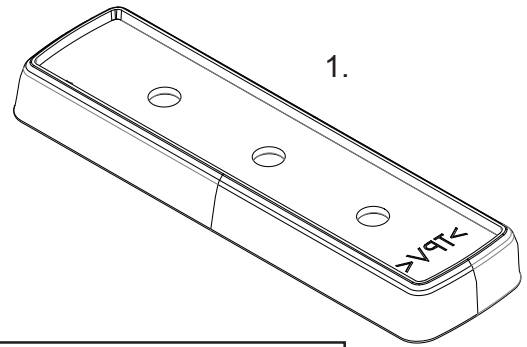
**\*Note:** For use with RLT600 Crossbar Kits. Please refer to 'Fit My Car' on the Rhino-Rack web site for comprehensive instructions on fitting racks to your vehicle.

Item	Component Name	Qty	Part No.
1	RLT600 Skirt High	2	M829
2	Instructions	1	R1164

Issue: 01 Document No: R1164 Prepared by: Kayle Everett



# RHINO-RACK **CONTROLLED** QMFK17



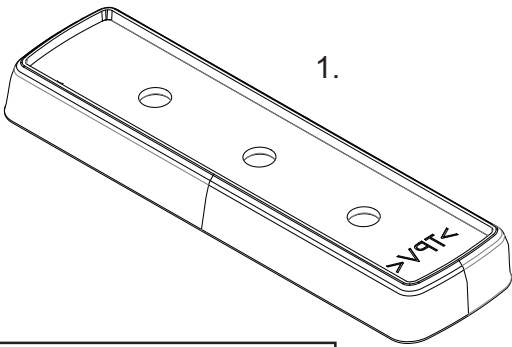
**\*Note:** For use with RLT600 Crossbar Kits. Please refer to 'Fit My Car' on the Rhino-Rack web site for comprehensive instructions on fitting racks to your vehicle.

Item	Component Name	Qty	Part No.
1	RLT600 Skirt High	2	M829
2	Instructions	1	R1164

Issue: 01 Document No: R1164 Prepared by: Kayle Everett



# RHINO-RACK **CONTROLLED** QMFK17



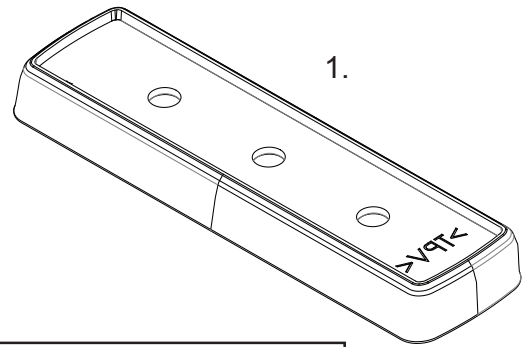
**\*Note:** For use with RLT600 Crossbar Kits. Please refer to 'Fit My Car' on the Rhino-Rack web site for comprehensive instructions on fitting racks to your vehicle.

Item	Component Name	Qty	Part No.
1	RLT600 Skirt High	2	M829
2	Instructions	1	R1164

Issue: 01 Document No: R1164 Prepared by: Kayle Everett



# RHINO-RACK **CONTROLLED** QMFK17



**\*Note:** For use with RLT600 Crossbar Kits. Please refer to 'Fit My Car' on the Rhino-Rack web site for comprehensive instructions on fitting racks to your vehicle.

Item	Component Name	Qty	Part No.
1	RLT600 Skirt High	2	M829
2	Instructions	1	R1164

Issue: 01 Document No: R1164 Prepared by: Kayle Everett